

# COPYRIGHT:

DEUTSCH

DIESE DRUCKSCHRIFT UND ALLE IHRE BESTANDTEILE IST URHEBERRECHTLICH GESCHÜTZT.

ABBILDUNGEN, GRAFISCHE DARSTELLUNGEN, TEXTE ODER DIE DRUCKSCHRIFT INSGESAMT ODER IN TEILEN DÜRFEN NICHT OHNE VORHERIGE SCHRIFTLICHE GENEHMIGUNG NACHGEDRUCKT ODER SONST REPRODUZIERT WERDEN (Z. B. AUF CD-ROM ODER IM INTERNET).

WENN SIE DIESE PDF-DATEI FÜR IHREN PERSÖNLICHEN GEBRAUCH VON UNSERER INTERNET-SEITE KOPIERT HABEN, MÖCHTEN WIR DARAUF HINWEISEN, DASS ALLE DORT ZUR VERFÜGUNG GESTELLTEN DATEIEN OHNE JEDEN WEITERN HINWEIS AUF DEN NEUESTEN TECHNISCHEN STAND GEBRACHT WERDEN. DIE ÄNDERUNG VON TECHNISCHEN DATEN UND LIEFERUMFANG IST DAHER VORBEHALTEN.

# COPYRIGHT:

## ENGLISH

ALL ARTWORK, PICTURES AND TEXTS ARE COVERED BY OUR COPY-RIGHT.

THEY MUST NOT BE COPIED FOR REPRODUCTION (E.G. ON CD-ROM DISKS OR INTERNET-SITES) OR USED IN THEIR ENTIRE FORM OR IN EXCERPTS WITHOUT OUR PREVIOUS WRITTEN AGREEMENT.

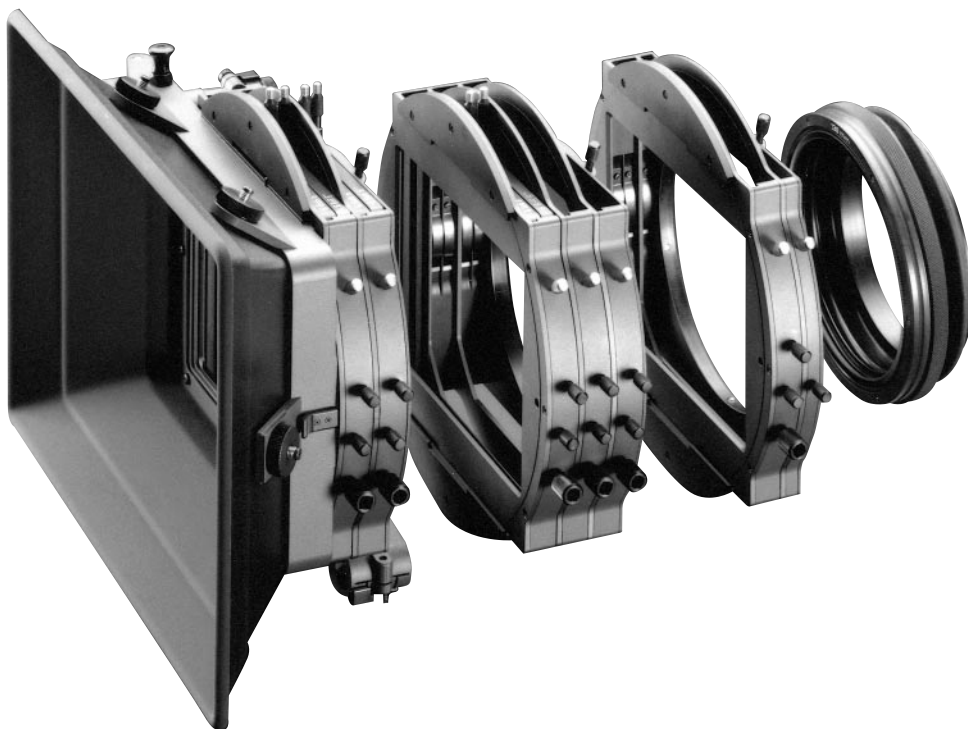
IF YOU ARE DOWNLOADING PDF-FILES FROM OUR INTERNET HOME-PAGE FOR YOUR PERSONAL USE, MAKE SURE TO CHECK FOR UPDATED VERSIONS.

WE CANNOT TAKE ANY LIABILITY WHATSOEVER FOR DOWNLOADED FILES, AS TECHNICAL DATA ARE SUBJECT TO CHANGE WITHOUT NOTICE.

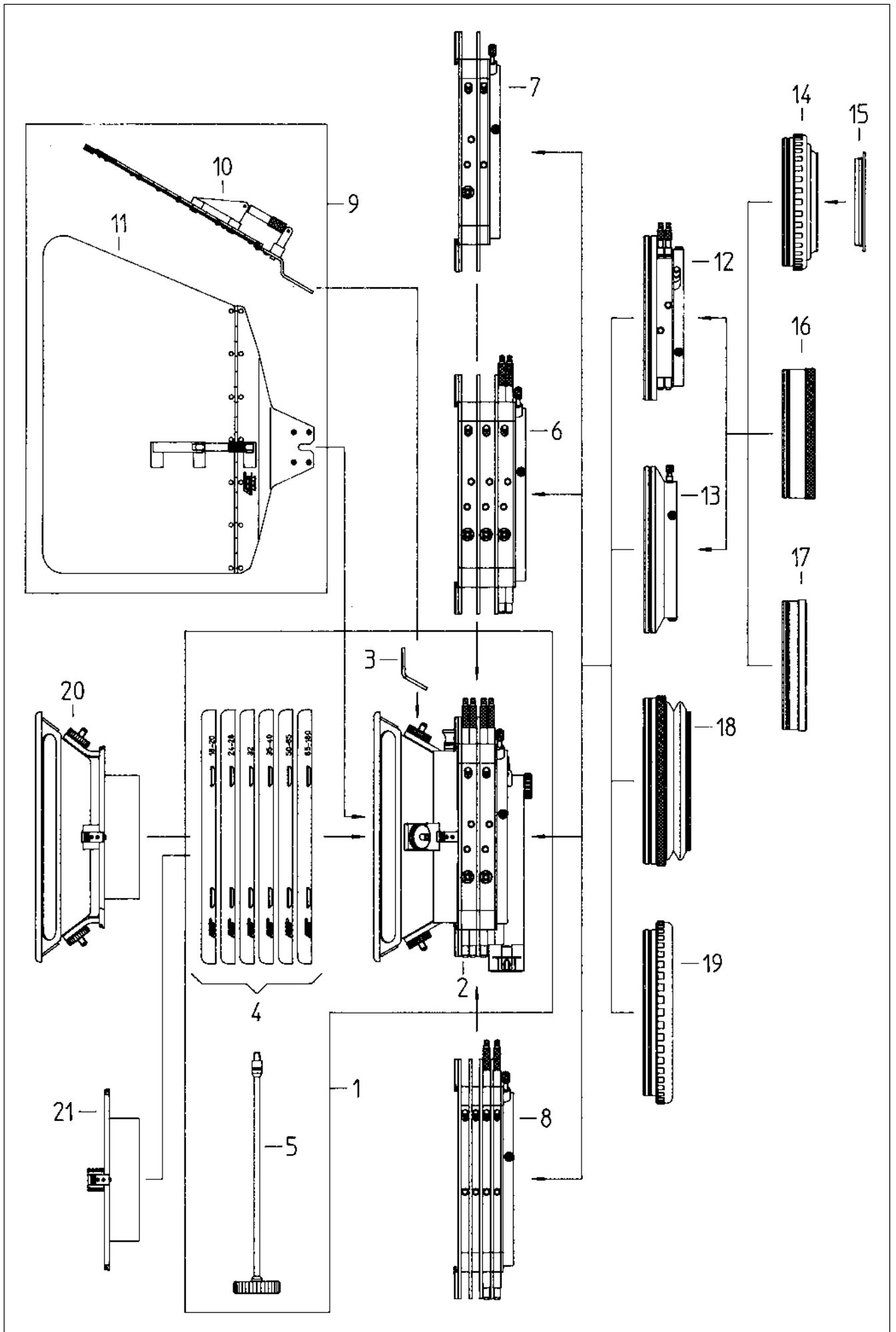
# ARRI



MB-14



6.6"x6.6"  
Production Matte Box MB-14



6.6"x6.6" Production Matte Box MB-14 System

Item	Ident-No.	Description
1	K0.59971.0	6.6"x6.6" Production matte box MB-14 (for support rods 19 mm dia. ) with 4 x filter stage and french flag holder (K2.42149.0), set of masks for 18-180 mm lenses (K2.42306.0), flexible drive shaft for graduated filters (K2.34890.0)
	K0.59987.0	6.6"x6.6" Production matte box MB-14 (for support rods 15 mm dia.) with 4 x filter stage and french flag holder (K2.42149.A), set of masks for 18-180 mm lenses (K2.42306.0), flexible drive shaft for graduated filter (K2.34890.0)
2	K4.42217.0	4 x filter stage for four 6.6"x6.6" push-through filters, two rotatable together, two individually
3	K5.42218.0	French flag holder (incl. in item 1)
4	K2.42306.0	Set of masks for 18-180 mm lenses (incl. in item 1)
	K2.44978.0	Set of masks for ARRISCOPE 40-135 mm lenses
5	K2.34890.0	Flexible drive shaft for graduated filters (incl. in item 1)
6	K2.42286.0	6 x Filter stage for six 6.6"x6.6" push-through filters (rotatable in pairs)
7	K2.42287.0	3 x Filter stage for three 6.6"x6.6" push-through filters (two rotatable together, one individually)
8	K2.43187.0	4 x Filter stage for four 6.6"x6.6" push-through filters (individually rotatable)
9	K0.59972.0	Light shield set (top/bottom K2.44447.0, left/right K2.44726.0)
10	K2.44447.0	Light shield top/bottom (incl. in item 9)
11	K2.44726.0	Light shield left/right (incl. in item 9)
12	K2.42293.0	4"x4" filter stage for two 4"x4" push-through filters, (individually rotatable) and for one 138 mm round filter
13	K2.42304.0	Step down ring
14	K2.49109.0	4 1/2" Filter ring with retaining ring 87 mm dia.
15	K2.47226.0	Insert ring 80 mm dia. for prime lenses (item 14 necessary)
16	K2.32903.0	4 1/2" Filter ring for Zeiss T3/300
17	K2.32911.0	Anti-reflection ring for Zeiss T3/300
18	K2.34260.A	138 mm filter ring with rubber sleeve for Cooke 20-60/25-250 MK II
	K2.34260.B	138 mm filter ring with rubber sleeve for Zeiss 1.8/14
	K2.34260.C	138 mm filter ring with rubber sleeve for Cooke 25-250
19	K2.34180.0	6" filter ring with rubber sleeve for ARRI 2/12
	K2.34250.0	6" filter ring with rubber sleeve for Cooke 20-100
	K2.44372.0	6" filter ring with rubber sleeve for Cooke 18-100/25-250 Cinetal and Variable Primes
	K2.44366.0	Anti-reflection ring with rubber sleeve for Cooke 18-100/25-250 Cinetal and Variable Primes
	K2.41528.0	Anti-reflection ring with rubber sleeve for ARRISCOPE 40-135 mm lenses
	K2.45505.0	Anti-reflection ring with rubber sleeve for Zeiss 2/10
20	K2.43957.0	Matte box frame MB-14W for lenses from 9.8 mm on
21	K2.42351.0	Matte box frame MB-14C for close ups
	K2.45504.0	2 x filter stage for Zeiss 2/10 with Super 35
	K4.47074.0	6.6"x6.6" filter frame (for items 2, 6, 7, 8, spare)
	K4.47076.0	6.6"x6.6" filter frame, toothed (for items 2, 6, 7, spare)
	K2.34881.0	5"x6" filter frame (for items 2, 6, 7)
	K2.34882.0	5"x5.65" filter frame (for items 2, 6, 7)
	K4.32902.0	4"x4" filter frame (for item 12, spare)
	K2.32220.0	4"x5.65" filter frame (for item 12)
	K2.34980.0	4"x6" filter frame (for item 12)
	K2.44774.0	Case for production matte box and accessories (variable dividers)

## 6.6" x 6.6" Production Matte Box MB-14

The MB-14 production matte box is equipped with a 4x filter stage for four 6.6" x 6.6" push-through filters (rotatable in pairs). Two of the filter frames are toothed for operation by knob or flexible shaft. The 4x filter stage has a rear receptacle for 6", 138 mm or 40" filter rings, for anti-reflection rings and additional 4" x 4" filter stage. The 4x filter stage can be interchanged with other filter stages. For easy lens changing the matte box swings open 90° to the front. The lateral adjustment on the side of the matte box is equipped with a quick-set clamp. A holder for secure mounting of french flags is included.

### Technical data:

Min. focal length	12 mm (9,8 mm with MB-14 W)
Max. number of filters (with 6x filter stage)	six 6.6" x 6.6" filters + one round filter
Max. number of filters (with 4x filter stage)	six 6.6" x 6.6" filters + two 4" x 4" + 4" x 4" filter stage) filters + one 138 mm + 4" round filter
Camera attachment	for dia. 19 mm support rods K0.59971.0 for dia. 15 mm support rods K0.59987.0
Dimensions	372 x 260 x 155 mm (14.6 x 10.2 x 6.1 in)
Weight	approx. 2450 g (5.4 lbs)



ARNOLD & RICHTER CINE TECHNIK

TÜRKENSTR. 89 • D-80799 MÜNCHEN • TEL. (089) 3809-0  
FAX (089) 3809-1244 • <http://www.arri.com>